

# NEW WORKS.

*Product Fact Sheet - Lighting - Karl-Johan Wall Lamp*



## **Karl-Johan Wall Lamp**

*Signe Hytte*

Inspired by autumn days spent hunting for mushrooms; it is only appropriate to extend the Karl-Johan series into the darkest parts of the home. A simple support in black stained or smoked oak allows the curved glass form to bounce a soft light around the room. The Karl-Johan Wall Lamp demands you to curl up with a book, spending those growing evenings beside a comforting illumination.

### **About the designer Signe Hytte**

Signe is a young danish designer. She grew up among Scandinavian design icons, and that heritage serves as a foundation for her work, where she also aims to spice things up with inspiration from other places in the world.

Simplicity is of course a core theme for Signe, when you think of her background, but attention to details is just as important for her.

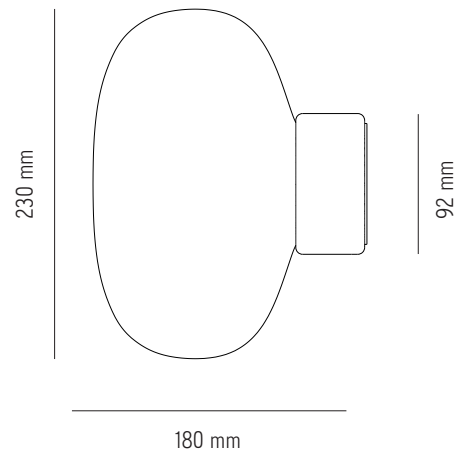
<b>Ean No</b>	<b>Item No</b>	<b>Variation</b>
5712826203200	20320	Smoked Oak w. White Opal Glass
5712826203217	20321	Black Stained Oak w. Smoked Glass

# NEW WORKS.

Product Fact Sheet - Lighting - Karl-Johan Wall Lamp

## Specifications

Product Name	Karl-Johan Wall Lamp
Designer	Signe Hytte
Year	2019
Category	Lighting
Type	Wall Lamp
Material	Glass shade w. wooden base
Colour/Variant	Smoked Oak w. White Opal Glass/ Black Stained Oak w. Smoked Glass
Product Dimensions	Ø: 230 x D: 180 mm
Packaging Dimensions	H: 310 x W: 310 x D: 310 mm
Cord	Hardwired
Weight	0,9 kg
Weight (incl. Packaging)	1,3 kg
Light Source	E14, Max 25W / LED Max 7W 220-240V~ 50/60Hz
Bulb	Not Included
Certification	CE, Class II, IP20
County of origin	China
Master packaging	1



## Cleaning & Care Guide

Turn off the electricity before cleaning the lamp. Wipe the glass shade with a soft dry or moist cloth. Do not use any abrasive cleaning tools, and never use strong cleaning agents such as household glass cleaner, white spirit, turpentine.

## Safety Precautions

The lamp is only intended for indoor use, and consult a professionally qualified electrician if any doubt. Only use approved light bulb and following guidance - 220-240V~ 50/60Hz, E14, Max 25W / LED Max 7W. The light bulb and lamp exterior gets hot after prolonged use.



# NEW WORKS.

*Product Fact Sheet - Lighting - Karl-Johan Wall Lamp*

## Variation

Smoked Oak w. White Opal Glass



Black Stained Oak w. Smoked Glass

