

# FLOS

03.9201.40A White/Black

## Light Shadow Fixed No Trim 2 Spots Optic Medium NEW

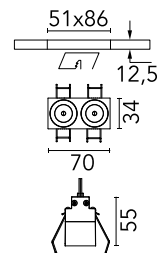
Designed by FLOS Architectural



Recessed integrated luminaire with 2 LED lighting spots. Remote power supply included (220-240V).

Are you a professional and your project needs consulting and support?

[BOOK AN APPOINTMENT](#)



### Main specifications

Mounting	Ceiling recessed
Environments	Indoor dry location
LED type	Power LED
Lamp category	LED
Iicos	No
Number of heads	1
Power (W)	7
Source flux (lm)	540
System flux (lm)	448

### Physical

Colour	White/Black
Trim	No
Orientation	Fixed
Recessed depth (mm)	150
Length (mm)	70
Net weight (kg)	0.25
IP internal	20
IP external	55

### Download

[Mounting instructions](#) ZIP

### Photometric Files

[LDT / IES](#) ZIP

### Technical Drawings

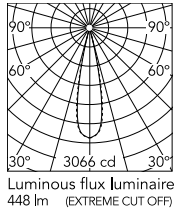
[2D](#) ZIP

[3D](#) ZIP

[Bim](#) ZIP



## Schematic light drawing



Beam Angle: 22°

h(m)	E(lx)	D(m)
1	3066	0.39
2	767	0.78
3	341	1.17
4	192	1.56
5	123	1.95

### Photometric

Lighting type	Direct
Light distribution	Symmetric
CCT (K)	2700
CRI>	90
Beam angle C0-180 (°)	22
Beam angle C90-270 (°)	22

### Electrical

Insulation class	II
Frequency (Hz)	50/60
Main voltage (Vac)	220.00
Alternating current voltage (Vac)	230
LED voltage Vf (Vdc)	8
Driver	Remote included
Dimmable	No
Dimming type	Non Dimmable
Emergency type	No

### Notes

It requires a pre-installation frame, to be ordered separately.

## Accessories & Power Supply

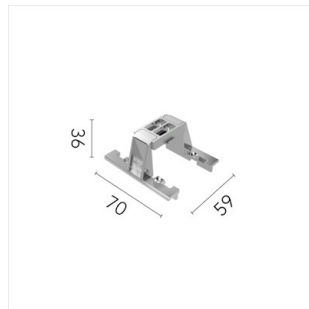


REQUIRED  
Frame

Installation

08.0510.00

Pre-installation No Trim Frame 2L  
Fix



OPTIONAL  
Accessory

Mounting

08.0052.90

Accessory for mounting of No  
Trim Fix continuous line.