



WEVER & DUCRÉ
LIGHTING

TUBE CARRÉ WALL 2.0 PAR16

744220W0

Project

Type

Notes

Quantity

Date

GENERAL

Wall
Surface
Signal White
IP65
Exterior
Indirect 355^a to 360^b lm
Direct 355^a to 360^b lm
Total 710^a to 720^b lm
RAL 9003^c

LED

Lamp 2 x PAR16
PAR16
Socket GU10
max. 5 W

PHYSICAL

Length 79 mm
Width 79 mm
Height 150 mm
1.1 kg

ELECTRICAL

100 - 240 V
Total connected power 11^b to 13^a W
PC1
Safety distance 0.3 m

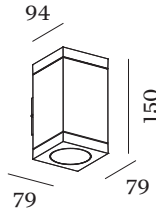
^a LED 2700K CRI 80 silver

^b LED 3000K CRI 80 silver

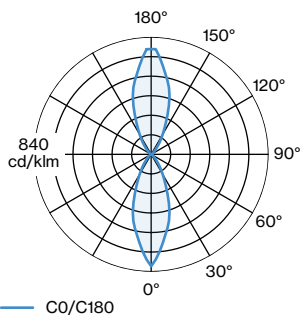
^c RAL Palette colors may deviate slightly due to production conditions.



IP65 <0,3>



LIGHT DISTRIBUTION



[744220W0] The technical data represent rated values for an ambient temperature of 25°C. The data values for the luminous flux are initially subject to a tolerance of +/- 10%, those for the electrical connected load are initially subject to a tolerance of +/- 10%, and those for the colour temperature are initially subject to a tolerance of +/- 150 K. No liability is assumed for typographical or printing errors. The general terms and conditions of Wever & Ducré BVBA apply.
© Wever & Ducré BVBA · Spinnerijstraat 99/21 · 8500 Kortrijk · Belgium · www.weverducre.com



WEVER & DUCRÉ
LIGHTING

TUBE CARRÉ WALL 2.0 PAR16

744220W0

ELECTRICAL

PAR16 LED Lamp

TYPE	Ø · H (MM)	ORDERCODE
2700K >80 CRI GU10	ø51-55	9 0 5 2 2 7 S 2
3000K >80 CRI GU10	ø51-55	9 0 5 2 2 7 S 4
2700K GU10		9 0 5 2 2 8 S 2