

Designed by Louis Weisdorf

PRODUCT



COLORS



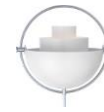
// All brass



// Black/ Brass



// All chrome



// White/ Chrome

DESCRIPTION

The Multi-Lite was first drawn in 1972 when Louis Weisdorf did an exception to his own design custom of using multiple repeating elements. Instead it reflects his passion for diversity. The Multi-Lite Floor lamp has two individual rotating shades and can be transformed into multiple combinations where the light can be directed upwards, downwards or exude an asymmetrical art light. The lamp is available in four colors and all the shades are white lacquered inside.

VERSION - MULTI-LITE FLOOR

Colour codes are indicative:

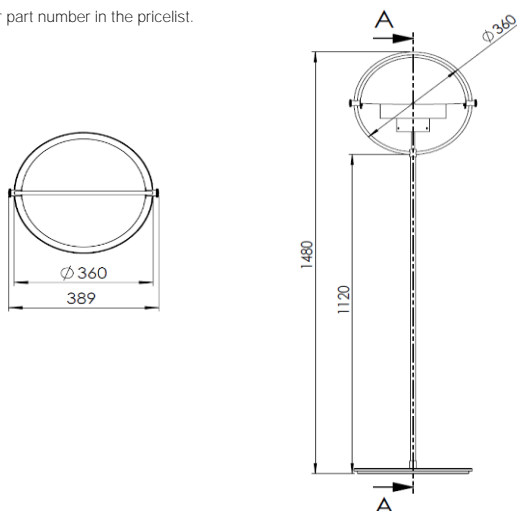
- All Brass - Brass colored cable, Brass foot switch, Black plug
- Brass/Charcoal Black - RAL 9011 - Gloss level 5 - Brass cable, Brass foot switch, Black plug
- All Chrome - Black cable, Black foot switch, Black plug
- Chrome/White - RAL 9003 - Gloss level 15 - Black cable, Black foot switch, Black plug

Base and centerpole:

- Brass on brass versions
- Chrome on chrome versions

MEASUREMENTS

Order item - look for part number in the pricelist.



FACTS

MEASUREMENT - *L x W x H mm*

- Lamp height: 1480mm
- Lamp diameter: Ø360 mm
- Wire length, exposed: Approx: 2000 mm

WEIGHT ITEM - *LAMP INCL. WIRE*

11,5 KG

PACKAGING TYPE

Cardboard box

PACKAGING MEASUREMENT - *L x W x H cm*

L: 156 x W: 41 x H: 43

WEIGHT PACKAGING - *MATERIAL TYPE (recyclable)*

- Polystyrene: 600 g
- PE polybag: 98 g
- Cardboard inside: 2400 g
- Cardboard outside: 3000 g

WEIGHT PACKAGING - *TOTAL*

6,1kg

NUMBER OF PARCELS

1 pcs.

Designed by Louis Weisdorf

ACCESSORIES

-

ENVIRONMENT

-

TESTS

-

CERTIFICATION AND LABELS

CE-certified

SAFETY INSTRUCTIONS

If the cord or other electrical part is damaged, switch of the lamp and do not use it until it is repaired by a qualified electrician.

INSTALLATION INSTRUCTIONS

Instructions document no. 58-20-005-01

LIGHT SOURCE:

- Socket: E27 base
- Bulb types recommended:



- Recommended light sources: *Halogen light bulb*
- Recommended wattage: 46 W
- Max wattage: 57 W

All fluorescens light bulbs

- Recommended wattage: 15 W
- Max wattage: 18 W

LED retrofit light bulbs

- Recommended wattage: 9,5 W
- Max wattage: 11,5 W

- *Max. light out put for above lamps:*
1050 Lumens ≈ (75 WATT incandescent bulbs)

- All lamps can be fitted with a dimmer
 Please contact your local electrician.

- Lightbulb not included

*Euro voltage: 230 V

*Frequency: 50 Hz

*Supply voltage: AC power -

*Normally Closed: IP20



Class II / Double insulated



CE-Mark



Luminaires accepted for mounting on a flammable base

