

# FLOS

 F1583018 Deep Brown

## Clessidra 20°+20°

Designed by Antonio Citterio, 2011

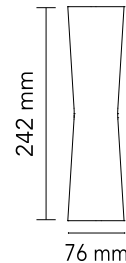


10W - 637lm - 3000K

Diffused direct/indirect-light wall lighting device. Body obtained by means of aluminium pressofusion and diffusers in PMMA. Aluminium wall attachment with cover in PA66. Available in white-painted or chrome-plated for indoor version and dark brown-painted or dark gray-painted for outdoor version. High-efficiency lenses specially designed for the application, non-replaceable. Wide range (100-240Volt) power pack integrated in the body. Level IP55

Are you a professional and your project needs consulting and support?

[BOOK AN APPOINTMENT](#)



### Main specifications

EAN	8059607001509
Mounting	Wall
Environments	Indoor Outdoor wet location
Light Source Type	LED
LED type	LED array
Power (W)	10
System flux (lm)	637

### Physical

Colour	Deep Brown
Length (mm)	76
Net weight (kg)	1.1
Package height (mm)	0
Package width (mm)	0
Package length (mm)	0
IP internal	55

### Download

<a href="#">Mounting instructions</a>	<a href="#">↓ ZIP</a>
<a href="#">Mounting instructions</a>	<a href="#">↓ ZIP</a>
<a href="#">Spare Parts</a>	<a href="#">↓ PDF</a>

### Photometric Files

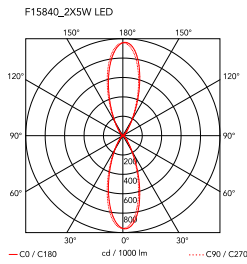
<a href="#">LDT / IES</a>	<a href="#">↓ ZIP</a>
---------------------------	-----------------------

### Technical Drawings

<a href="#">2D</a>	<a href="#">↓ ZIP</a>
<a href="#">3D</a>	<a href="#">↓ ZIP</a>



## Schematic light drawing



## Photometric

Lighting type	Indirect, Direct
Light distribution	Symmetric
CCT (K)	3000

## Electrical

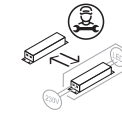
Insulation class	I
Frequency (Hz)	50/60
Main voltage (Vac)	100-240
Driver	Integrated
Dimmable	No
Dimming type	Non Dimmable
Dimming interface	Not Dimmable
Batteries inside	No
Charging min time	NO

## Ecodesign and Energy Labelling

This product contains a light source of energy efficiency class E

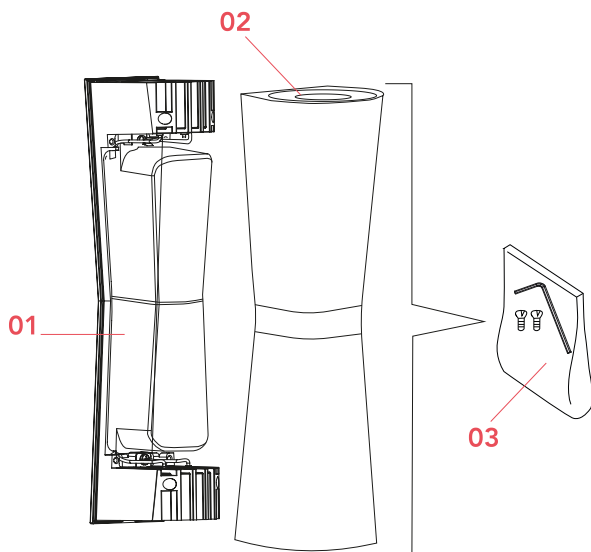


Replaceable (LED only) light source by a professional



Replaceable control gear by a professional

## Spare Parts



- |     |  |           |
|-----|--|-----------|
| 01. | Wall attachment and internal lamp body 20°+20°       | F1581030  |
| 02. | Deep brown external clessidra lamp body              | F1580018  |
| 03. | Screws and tool kit for clessidra external lamp body | RF1580100 |

**DOWNLOAD**



F1581030  
Wall attachment and internal lamp  
body 20°+20°



F1580018  
Deep brown external clessidra  
lamp body



RF1580100  
Screws and tool kit for clessidra  
external lamp body