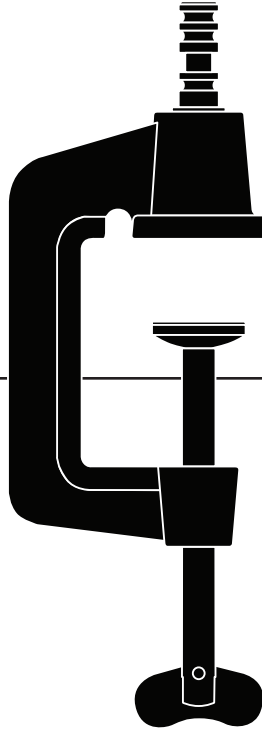


ANGLEPOISE®

Original Range | Designed by George Carwardine



Original Range
Desk Clamp

Original Range Desk Clamp

Please read these instructions in conjunction with those included with the desk lamp. They will cover additional product details, electrical and safety information relating specifically to the lamp.

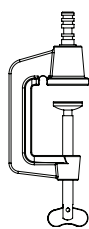
Veuillez lire ces instructions conjointement avec celles fournies avec la lampe de bureau. Elles aborderont des détails complémentaires sur les produits, ainsi que des informations électriques et de sécurité spécifiquement liées à la lampe.

Bitte lesen Sie sich diese Anleitung zusammen mit der dem Lieferumfang der Schreibtischlampe beigelegten Anleitung durch. Sie behandeln zusätzliche Produktdetails, elektrische Daten und Sicherheitshinweise, die sich speziell auf die Lampe beziehen.

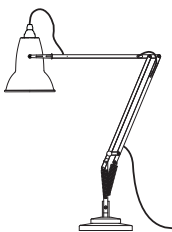
Si prega di leggere queste istruzioni assieme a quelle incluse nella lampada da scrivania. Tali istruzioni forniscono informazioni aggiuntive sul prodotto, informazioni sui rischi elettrici e sulla sicurezza che riguardano specificatamente la lampada.

Por favor, lea estas instrucciones en relación con las incluidas con la lámpara de escritorio. Cubrirán detalles adicionales del producto e información eléctrica y de seguridad relativa específicamente a la lámpara.

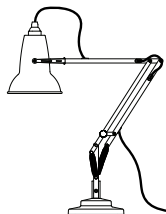
The Original Range Desk Clamp is only compatible with:
Original 1227™ Desk Lamp and Original 1227™ Mini Desk Lamp.



Original Range
Desk Clamp



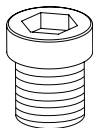
Original 1227™ Desk
Lamp



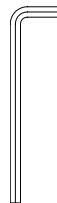
Original 1227™ Mini
Desk Lamp

ASSEMBLY PARTS & TOOLS:

Your Anglepoise® comes supplied with everything you need to assemble and install your product. The assembly parts and tools you'll find in the box are:

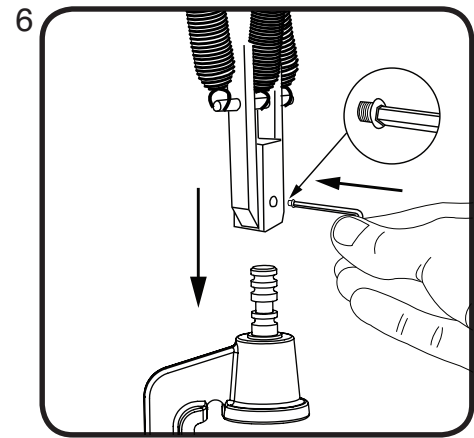
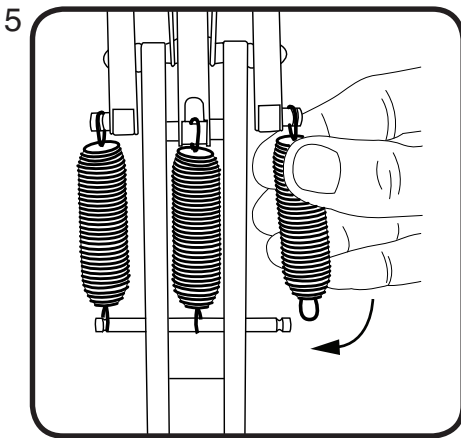
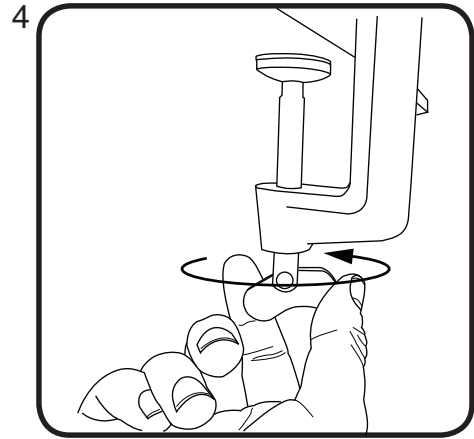
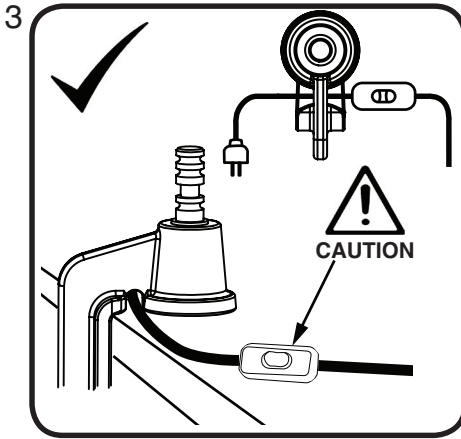
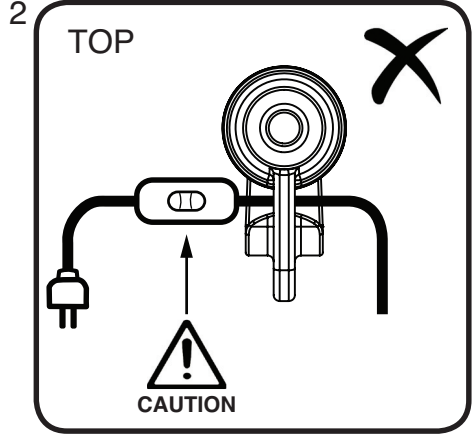
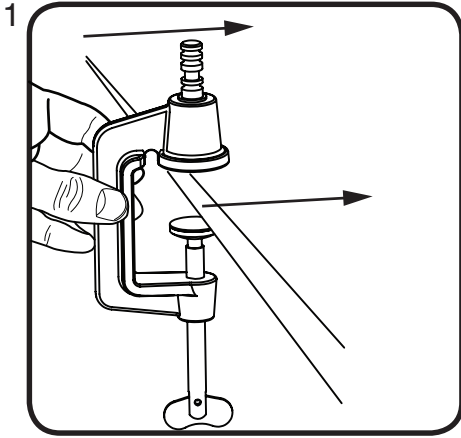


Anglepoise®
Grub Screw
1x 100033 (Chrome)
OR 1x 100935 (Brass)



Anglepoise®
Hex Key
1x 100117

PARTS NOT TO SCALE



PRODUCT WARRANTY:

For warranty information, please visit:

UK & International: www.anglepoise.com/warranty

US & Canada: us.anglepoise.com/warranty

NEWSLETTER:

Sign up to the Anglepoise® newsletter for the latest news and updates at:

UK & International: www.anglepoise.com/newsletter

US & Canada: us.anglepoise.com/newsletter

DOWNLOADS:

For news, technical information, CAD files, images and the latest Anglepoise® brochure, please visit:

files.anglepoise.com

CONTACT:



UK Headquarters:

Anglepoise Ltd
A10 Railway Triangle
Walton Road
Farlington
Hampshire
England
PO6 1TN



UK & International:

+44 (0) 2392 224450

North & South America:

+1 (888) 5193225

www.anglepoise.com

technical@anglepoise.com

Find @Anglepoise On



ANGLEPOISE®