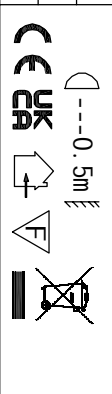




De Meutter bv  
 Industriepark 1 4A Zone B  
 2220 Heist-op-den-Berg  
 BELGIUM

INPUT: 220-240V\_50/60Hz CLASS II □  
 LAMP-HOUSE: GU10-35W(Max.)  
 MATERIAL: ALUMINIUM



### INSTALLATION INSTRUCTION

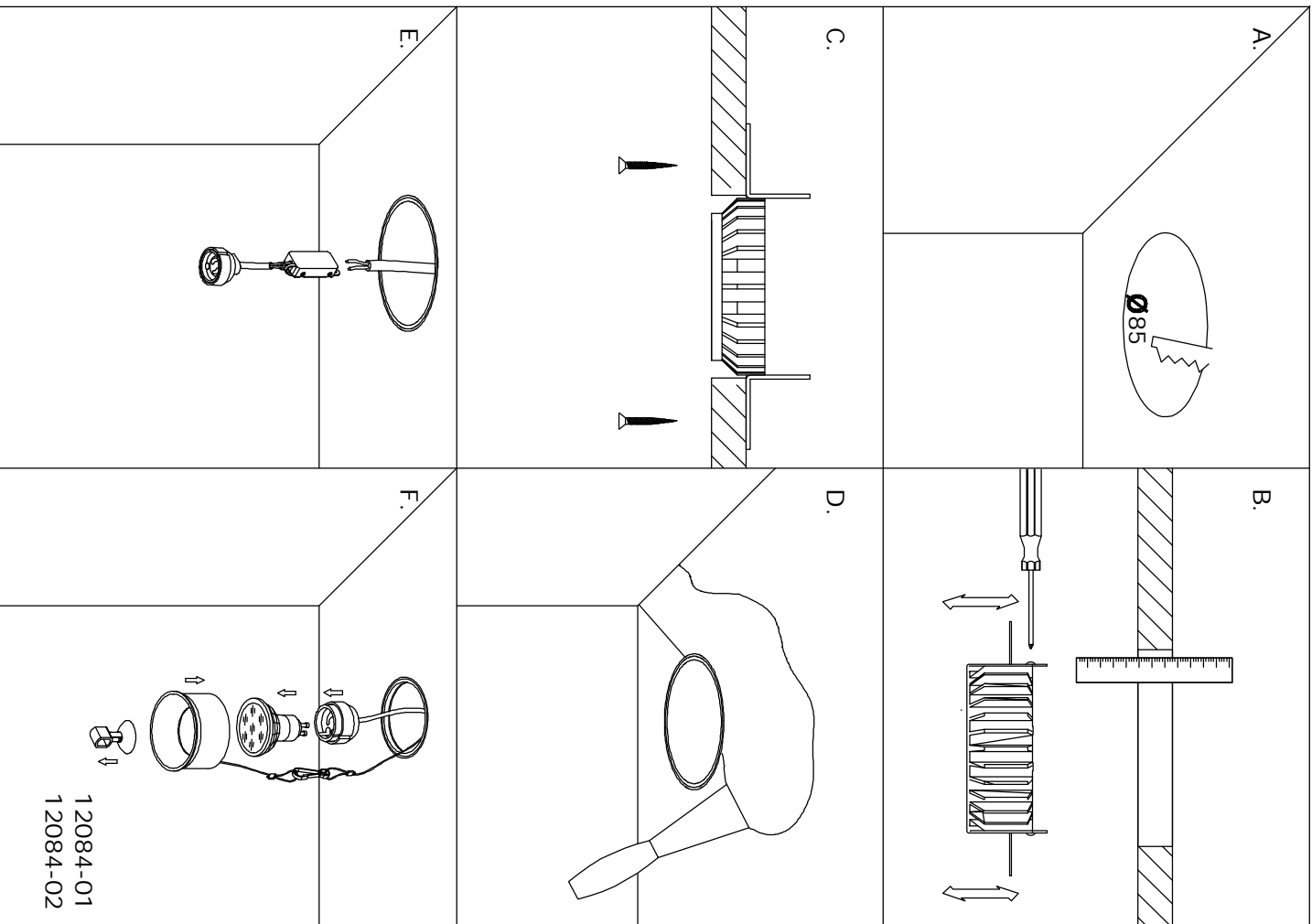
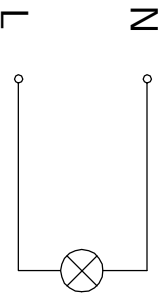
1. Before installing, make sure the power supply is switched off.
2. Follow the steps as the figure for installation or replacement of bulb Step.
  - A. after hoing, pull out the wires.
  - B. Adjust the mounting bracket to suitable place.
  - C. Fix the housing to the hole with the screws.
  - D. Smooth the surface of the ceiling with the plaster.
  - E. Connect the wires to the terminal block.
  - F. Before install the fixture into the housing, insert the bulb to the lamp holder.
3. After finishing every step, tighten the screws, have the fixture fixed, and then connect the power supply.

### CLEANING INSTRUCTION

1. Before cleaning, ensure that the power supply is switched off.
2. Use only a soft cloth to clean the lamp, dampened with mild cleanser if needed for resistant dirt.
3. Warning: do not use alcohol or other solvents.

### CAUTION:

While the lamp is working, the surface of it is hot!  
 Please do not touch the fixture within an hour after the power supply has been switched off.



1 2084-01  
 1 2084-02