

# FLOS

■ F0090030 Black

## Aim

Designed by Ronan & Erwan Bouroullec, 2013

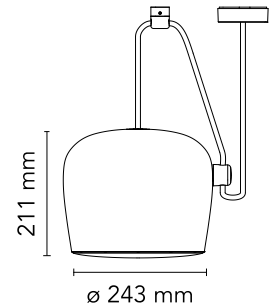


16W - 895lm - 2700K

Suspended light fitting. Body in varnished aluminium sheet, shade in photo-etched optical polycarbonate. Internal reflector in photo-etched ABS. Orientable body. Powered directly from mains. The LED can be dimmed with a «Triac for Led» dimmer approved by Flos. Flos does not respond in case of wrong electrical connection system installations. The cable has a useful length of 9 meters and thus the lamp can be suspended 3 meters from the ceiling. Multiple rose with capacity to connect up to 5 Aims also available.

Are you a professional and your project needs consulting and support?

BOOK AN APPOINTMENT



### Main specifications

EAN	8059607013281
Mounting	Suspension
Environments	Indoor dry location
Light Source Type	LED
LED type	LED Module
Power (W)	16
System flux (lm)	895

### Physical

Colour	Black
Length (mm)	243
Cord length (mm)	9000
Canopy dimension (mm)	23
Canopy width (mm)	80
Net weight (kg)	3.2
Package height (mm)	375
Package width (mm)	300
Package length (mm)	300
Package volume (m3)	0.03
IP internal	20

### Download

Mounting instructions	↓ PDF
Compatible dimmers	↓ PDF
Spare Parts	↓ PDF

### Photometric Files

LDT / IES	↓ LDT
-----------	-------

### Technical Drawings

2D	↓ ZIP
3D	↓ ZIP
🔒 Bim	↓ ZIP



<https://professional.flos.com/en/global/product/aim-f0090030/>

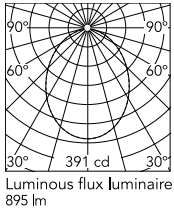
F0090030

©2022 Flos - P.IVA 00290820174 - 2/13/2024

professional.flos.com | info@flos.com 1/5

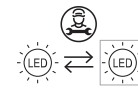
In our constantly evolving world and business, technical upgrades happen every day. This means all product specifications and data are subject to change without warning in order to improve reliability, function, performance or otherwise. We make every effort to ensure the accuracy of our product images, however due to different lighting and screens used for viewing, the colours may vary. Images are indicative of the quality and style of the product but may not represent the precise details of the product you receive. This is because we are constantly working to make improvements. For aesthetic reasons, cables and/or electrical elements are often not shown. Refer to technical data sheets for all technical data. Images and colours are not part of any contract or warranty in any way.

## Schematic light drawing



## Ecodesign and Energy Labelling

This product contains a light source of energy efficiency class F



Replaceable (LED only)  
light source by a  
professional

## Photometric

Light distribution	Roto symmetric
CCT (K)	2700

## Electrical

Insulation class	II
Frequency (Hz)	50/60
Main voltage (Vac)	220-240
LED voltage Vf (Vdc)	null
Driver	Integrated
Dimmable	Yes
Dimming type	Mains Cut Dimming
Dimming interface	Remote Dimmable (Dimmer Not Included)
Batteries inside	No

## Accessories & Power Supply



OPTIONAL

F0093030

Aim Multiple Canopy

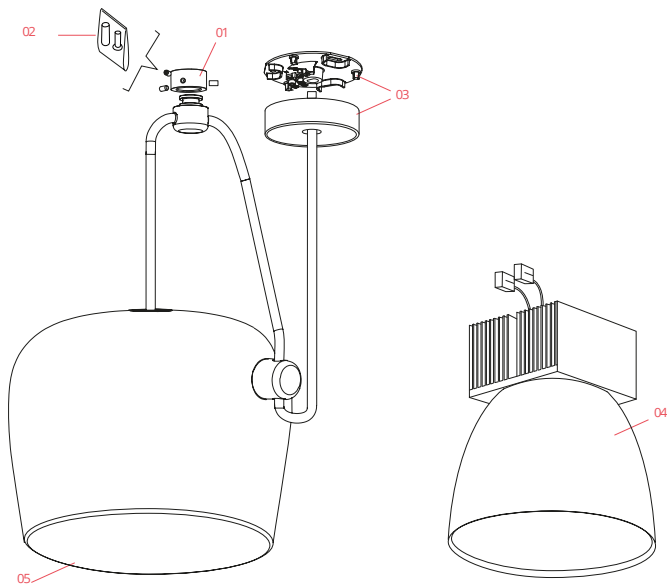


OPTIONAL

RF22227

Aim Dimmer

## Spare Parts



- |     |   |           |
|-----|---|-----------|
| 01. | Black ceiling attachment assembly                   | RF0090130 |
| 02. | Kit of quantity 3 m4 screws                         | RF06750   |
| 03. | Black ceiling rose assembly                         | RF0090230 |
| 04. | Aim Heatsink, 2700K Led Module & Reflector Assembly | RF0090700 |
| 05. | Aim opal diffuser                                   | RF0090600 |

**DOWNLOAD**



RF0090130

Black ceiling attachment assembly



RF06750

Kit of quantity 3 m4 screws



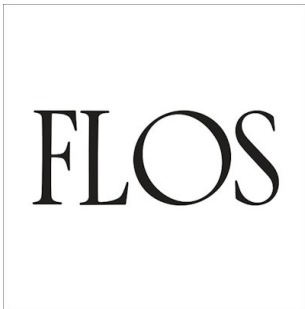
RF0090230

Black ceiling rose assembly



RF0090700

Aim Heatsink, 2700K Led Module  
& Reflector Assembly



RF0090600

Aim opal diffuser