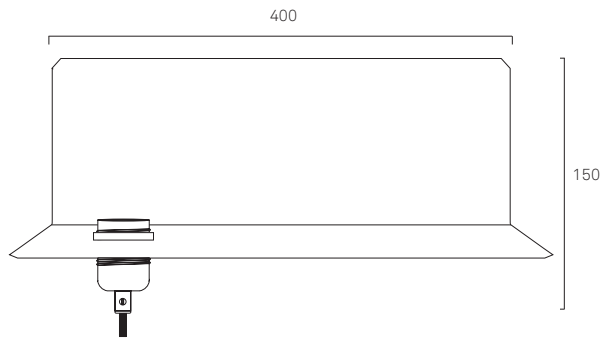


90° Wall Light



Design	Frama
Year	2012
Typology	E 27 wall lamp
Collection	Permanent Lighting
Origin	PRC
Material	Solid Brass Solid Copper
Cord	2500 mm black textile cord with EU plug, on/off switch
Socket	E27
Watts	Max 60 W
Voltage	220/240
Certifications: UL/EU Energy/BSCI	CE CERTIFIED
Note	Comes with matching E27 Fixture & fitting Recommended bulbs: Atelier Globe 80, Atelier Drop, Atelier Cylinder

Product	Item No.	EAN code
Brass	2600	5712828002603
Copper	2601	5712828112609
Architects Grey	2604	5712828022601
Matte Black	2605	5712828032600
Matte White	2606	5712828222605

Specifications

FRAMA

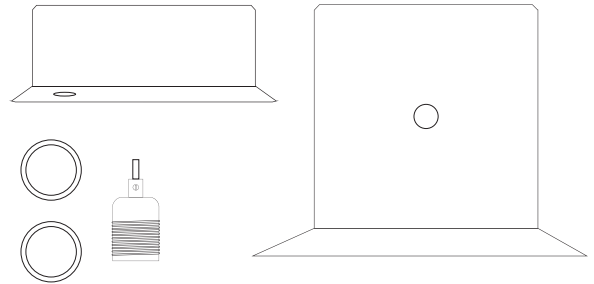
90° Collection Assembly & Maintenance

Very often we let the materials speak their own language and try as little as possible to change the origin. 90° lamp is a design statement with a strong geometric character.

Contents:

In this box you will find:

- 1 90° Shade
- 2 Fitted rings
- 1 E27 Pendant with EU plug



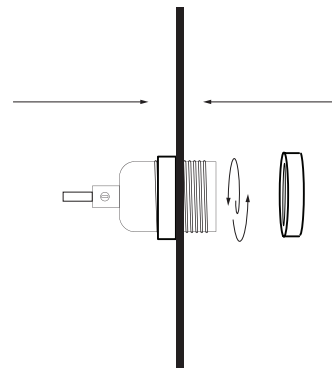
Assembly:

Start by screwing the outside ring on the Frama E27 pendant.

Place the pendant through the circular opening in the 90° light, and fasten the other ring on the pendant.

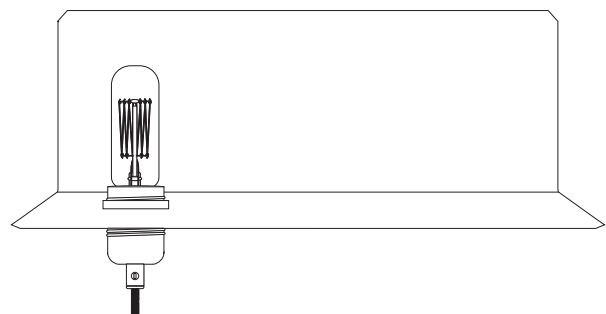
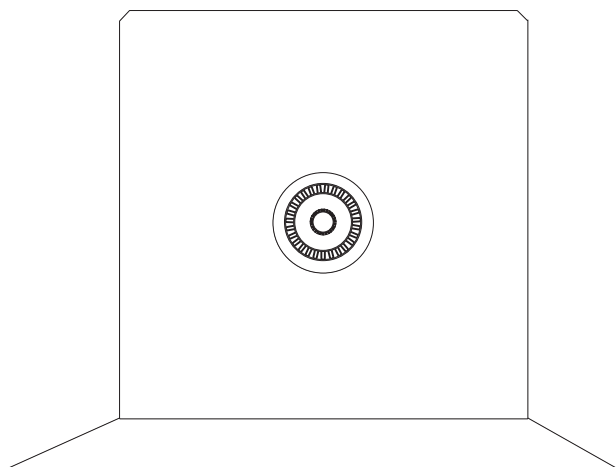
The rings should “sandwich” the 90° light now. Tighten the rings so the fixture is secure.

Place the light fixture where desired, and outfit with an Atelier bulb.



Care:

Both the brass and copper 90° lights are left untreated. By nature, the materials will patinate over time, differing between environments. Keep these beautiful signs of aging, or polish them away as seen fit.



FRAMA

Maintenance of Metals & Cords

Some of the metals in the Frama collection are left untreated to allow for a natural patina to develop over time. See below to keep these beautiful signs of aging, or polish them away. All collection pieces are for indoor use.

Cleaning & Polishing Brass & Copper:

Brass: Wash the brass with soapy water. To get rid of dirt or oil, mix a mild detergent with warm water. Dip a soft cloth into the soapy water, and wipe the piece down with the cloth. To polish brass, apply brass polish to a cloth, and rub it into the brass. Then use a clean, dry cloth while rubbing the brass to create shine.

Copper: Squeeze a lemon and sprinkle salt over the copper, and rub to remove any tarnishing. Rinse the copper, and dry with a soft, dry cloth.

Textile Cords:

Avoid contact with liquid and cleaning soap. Use a brush or cloth to remove dirt from the textile cord.

Avoid direct sunlight and sharp items.

Do not cut the textile cords by yourself, let a licensed electrician perform length adjustments.

Mounting:

2. Connect the ceiling output to the terminal block. The blue wire is fasten on the opposite side from the blue wire on the terminal block. Fix the wire by tighten the screw. Use a small screwdriver.
3. Connect the brown wire in the same way.
4. Hang the pendant and adjust the ceiling cup by tighten the cord grip in it's right position