

USER INSTRUCTIONS

JOURNEY SHY2

BY **SIGNE HYTTE**
2018

Congratulations with your new Journey wall lamp, designed in 2018 by Signe Hytte. We hope you will enjoy using this product and follow these instructions to ensure correct installation. If you have any questions or comments, please do not hesitate to contact us by mail on:

info@andtradition.com

CONTENTS

- A - Lamp
- B - Wall bracket
- C - Glass diffuser
- D - 2x Hex screws

Please read these instructions carefully and retain them for future reference to ensure that the product is correctly installed should it be moved or sold. For your own safety, please study each step of this instruction manual before you commence installation. &tradition are not responsible for any faults or damages caused by not following these instructions correctly. Do not modify this product in any way.

TOOLS NEEDED

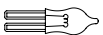
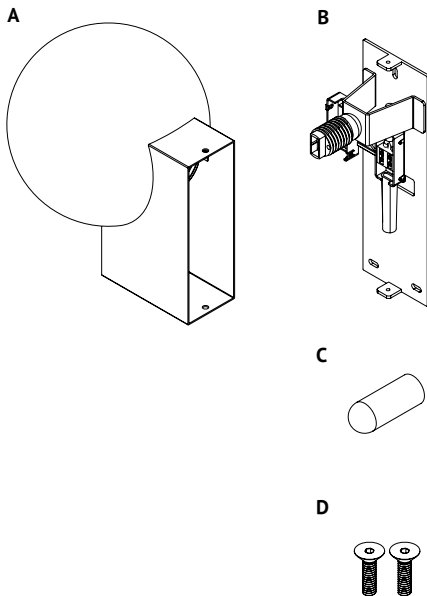
- Hex-head screwdriver
- Cable cutters
- Cable stripper
- Bulb type G9

SAFETY PRECAUTIONS

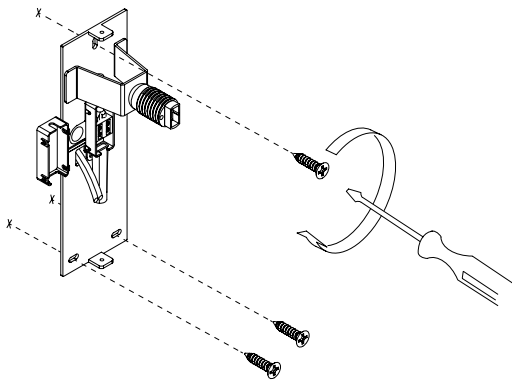
- Dispose of plastic bag from packaging and do not allow children to play with it.
- Keep product well out of children's reach.
- The product is only intended for interior use.
- Do not attempt installation of product if you are not competent to do so yourself.
- Consult a professionally qualified electrician if in any doubt.
- Disconnect the electricity supply at the fuse box, before commencing work.

CLEANING INSTRUCTIONS

- Wipe surface of lamp shade with a soft, damp sponge or cloth, and wipe immediately after with a dry cloth.
- Do not use any abrasive cleaning tools such as steel wool, scouring sponges or stiff brushes.
- Never use strong cleaning agents such as white spirit, turpentine, household glass cleaner or cellulose thinners.
- **Mirror colour:** Cleaning of stainless steel should be done only by using a cleaning detergent specifically for stainless steel. Follow the instructions on the packaging. Cleaning agents not developed specifically for stainless steel may permanently damage the surface of the stainless steel and should never be used. For daily care, please only use a dry soft cloth to clean.

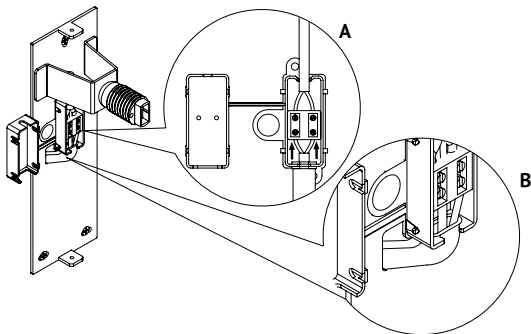


Maximum 33 W. G9 bulb.
Not included



STEP 1

Locate the supply cable and pass it through the hole of the wall bracket.
Mark the holes in the desired position and mount the metal bracket securely in the wall with appropriate wall plugs and screws. Make sure the electrical cable is passing freely through the hole in the metal plate.



STEP 2

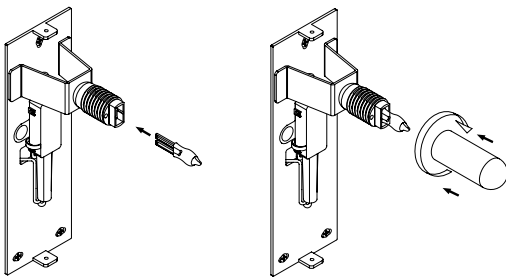
Connecting the wires: (detail A)

Cut off the excess cord using a cable cutter so that minimum of 80 mm cord is left to reconnect to the cable connector. Peel back the outer cable using a cable stripper to expose 30 mm of the blue and brown inner cables. Strip the inner cable to expose 5 mm of wire. Connect the blue supply wire to the blue fixture wire.

Connect the green supply wire to the green fixture wire.

Close the cap of the terminal connector.

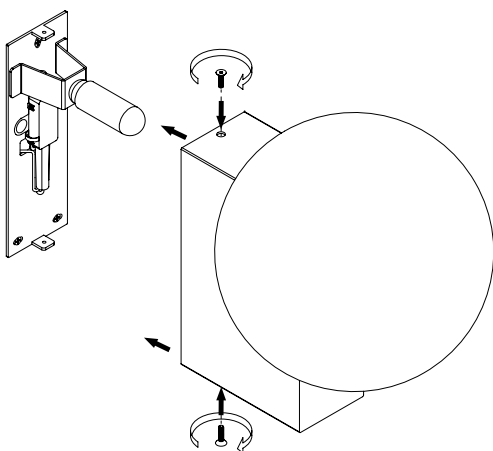
After connecting the wires and closing the box cap make sure that the plastic sleeve of the connector box is placed passing through the hole in the metal bracket to assure cable protection. (detail B)



STEP 3

Install the light bulb.

Install the glass diffuser by screwing it onto the thread of the bulb socket.



STEP 4

Place the lamp carefully on the wall bracket. Insert and tighten the screws to fix the lamp to the wall bracket.

The lamp is now ready to use.

For indoor use only.
230V~ 50 Hz



tradition®