

FRITZ HANSEN



CLAM™ A PEARL OF LIGHT

Mouth blown glass and brushed brass come together – and move apart – to create elegant, adjustable and ambient lighting for dining and living spaces.

A PEARL OF LIGHT

Opening to reveal a luminescent pearl of light within, the seashell-inspired Clam pendant from Fritz Hansen designed by Ahm & Lund is a contemporary take on lighting with a timeless feel. With its ability to alter the ambience in a room at the glide of a hand and shaped with the craftsmanship excellence that defines Fritz Hansen, it lends exclusive edge to any dining and living setting.

The mouth blown opal glass pendant, available in two sizes, is perfectly balanced. Equally beautiful open or closed, it is detailed with brushed brass fittings that effortlessly slide open the shell-like shades to reveal the pearlescent light source within.

The winner of 'Denmark's Next Classic,' a televised national competition showcasing the design talents of tomorrow, the award-winning pendant is acknowledged for both its remarkable form and its mood-enhancing ambience – as well as its ability to elevate any dining and living setting with its softly curved form.



SALES INFORMATION

RELEASE DATES

- Available to order from: 15th September 2021
- On stock from: 15th September 2021

MARKETING SUPPORT

- Market launch: October, 2021
- Marketing activation: From October, 2021

MODEL TYPE

Ø440
Ø550

DESIGN

Ahm & Lund, 2019

ABOUT AHM & LUND

Ahm & Lund is a Copenhagen-based design studio founded by designer Isabel Ahm (b.1980) and cabinetmaker Signe Lund (b.1991). The two work at the intersection of craft and design with a shared belief in aesthetic sustainability and long-lasting design. They create meaningful products with deep, material understanding.

MATERIALS

Shade: Opal glass.
Each shade is individually made and variations in surface thickness and texture, including air bubbles, may occur.

Suspension and Canopy: Brass (untreated).
Please note that brass will patinate.

Cord and wire: Textile, black

LAMP RATING AND SPECIFICATIONS

IP Rating: IP20
Isolation class: Class I
LOR: 78%
Light source included: No

CERTIFICATIONS

CE, CB

WARRANTY

2 years

USP'S

- Unique, sculptural form
- Mouth blown opal glass of remarkable size and balance
- Glare-free, ambient lighting
- Brushed brass fittings
- Customisable open/close function

PRICING 2021

Ø440	EXCL.	INCL.
DKK	5.596	6.995
SEK	7.916	9.895
NOK	-	10.495
EUR	763	-
GBP	672	806
Ø550	EXCL.	INCL.
DKK	7.196	8.995
SEK	10.156	12.695
NOK	-	13.495
EUR	981	-
GBP	864	1.037

SPECIFICATIONS

DIMENSIONS

Ø440

Height: 52,2 cm / 20.5"

Width: 44 cm / 17.3"

Depth: 44 cm / 17.3"

Weight: 6,5 kg / 14.3 lb

Ø550

Height: 54 cm / 21.3"

Width: 55 cm / 21.7"

Depth: 55 cm / 21.7"

Weight: 9 kg / 19.8 lb

CORD LENGTH

Length: 6 m / 236.2"

Material: Textile

Colour: Black

CANOPY

Included: Yes

Material: Brass

LIGHT SOURCE

Socket: E27

Max wattage: 60W

Light source length
recommendation: Max 100mm

Light source diameter
recommendation: Max 80mm

PRODUCT CODE

Ø440: 94724305

Ø550: 94722205

EAN

Ø440: 5702370000677

Ø550: 5702370000271

PACKAGING

Ø440

Shade (2x boxes)

Height: 21 cm/8.2"

Width: 53 cm/20.8"

Depth: 50,6 cm/19.9"

Suspension:

Height: 15,1 cm/5.9"

Width: 63 cm/ 24.8"

Depth: 25,6 cm/10"

Ø550

Shade (2x boxes)

Height: 22,8 cm/ 8.9"

Width: 64 cm/ 25.1"

Depth: 61,6 cm/24.2"

Suspension:

Height: 15,1 cm/5.9"

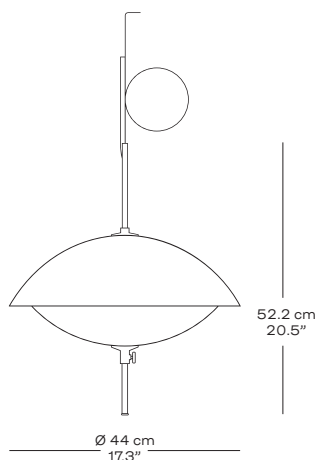
Width: 63 cm/ 24.8"

Depth: 25,6 cm/10"

COLLI

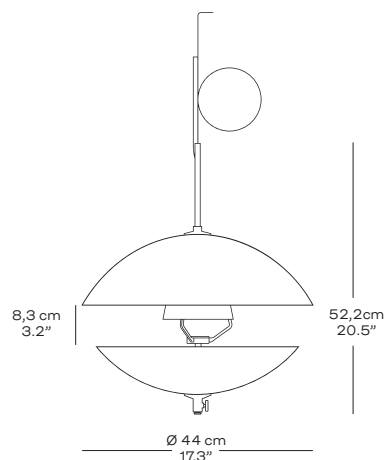
3 boxes per pendant

CLOSED

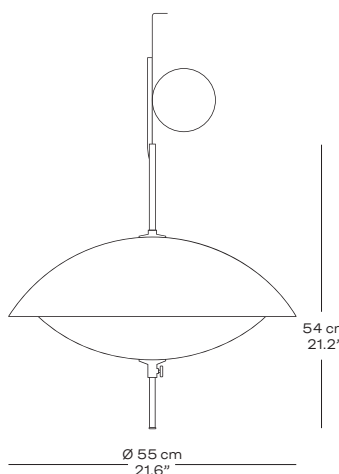


Ø440

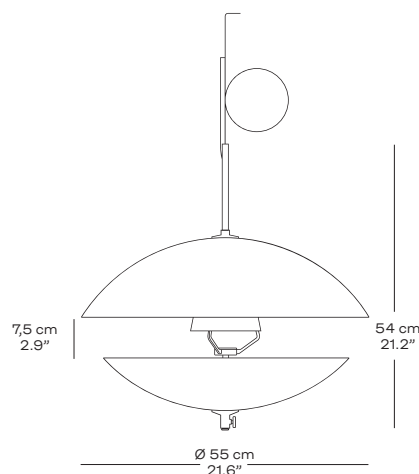
OPEN



Ø440



Ø550



Ø550



Canopy



Suspension